

# 200LF Globe Valve • Spec Sheet

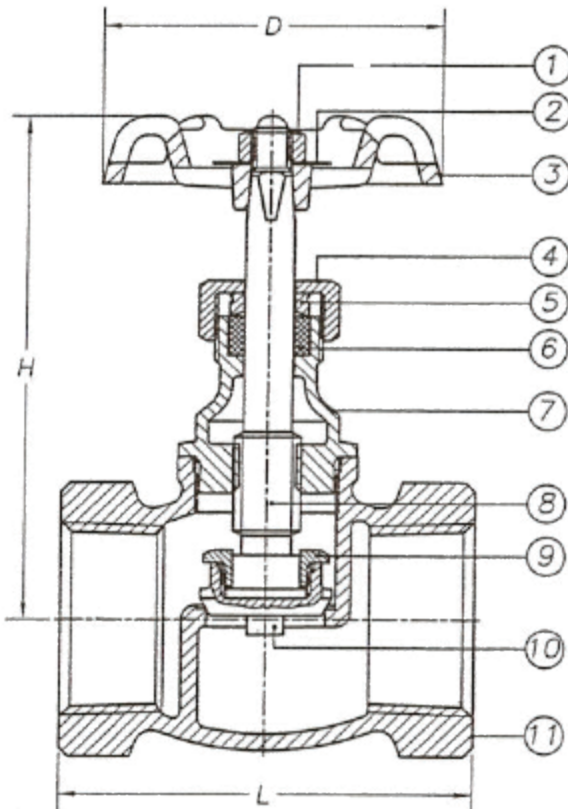


## FEATURES & BENEFITS

- Lead Free Brass\*
- 200 WOG
- ISO-9002
- Threaded Ends
- Rising Stem
- Screwed Bonnet
- Integral Hard Seat and Swivel Disc
- 125 PSI Steam @ 230°F Max
- Max Temp 180°F
- Sizes 3/8" - 2"

## DIMENSIONS

Part #	Size	D	H	L
200T02LF	3/8"	2.13	2.72	1.85
200T03LF	1/2"	2.13	2.66	1.89
200T04LF	3/4"	2.19	2.97	2.21
200T05LF	1"	2.76	3.41	2.54
200T06LF	1-1/4"	3.00	4.33	2.92
200T07LF	1-1/2"	3.31	5.12	3.31
200T08LF	2"	3.74	6.03	3.92



## MATERIAL SPECIFICATIONS

No.	Parts	Material
1	Wheel Nut	Brass C89550
2	Name Plate	Aluminum A1100
3	Handle Wheel	Cast Iron
4	Packing Nut	Brass C89550
5	Gland Ring	Brass C89550
6	Gland Packing	Graphite
7	Bonnet	Brass C89550
8	Stem	Brass C89550
9	Locknut	Brass C89550
10	Disc	Brass C89550
11	Body	Brass C89550

\* These product complies with 0.25% weighted average lead content on wetted surfaces in accordance with Safe Water Drinking Act (SDWA) / Federal Public Law No. 111-380.



Global sourcing. National compliance. Local service.

**CALIFORNIA** 5593 Fresca Dr., La Palma CA 90623 • Toll Free: 866-532-8306 • Fax: 866-532-8307  
**TEXAS** 1150 Silber Rd., Houston TX 77055 • Toll Free: 800-935-5456 • Fax: 713-680-2999  
**NEW YORK** PO Box 27, Rt. 22, Brewster NY 10509 • Toll Free: 800-431-2082 • Fax: 845-278-9056  
 WEB: [www.matco-norca.com](http://www.matco-norca.com) EMAIL: [mail@matco-norca.com](mailto:mail@matco-norca.com)